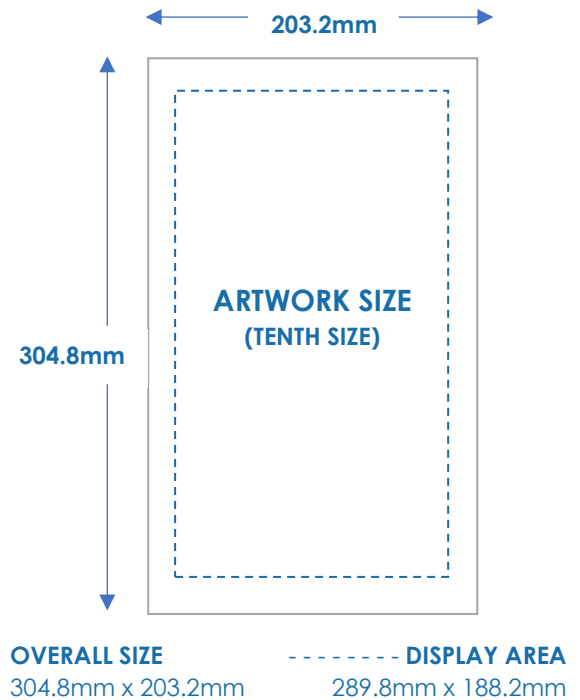


# 16 Sheet (Paper) Spec

## ✓ Artwork Specifications (Global Production)

Display Area: 2,898mm x 1,882mm (Full size)  
 Overall Size: 3,048mm x 2,032mm (Full size)  
 Bleed: 5mm all around

File Format: High Res CMYK PDF. Embed/ outline images and fonts  
 File Size: Up to 5MB  
 File Name: SiteType\_LiveDate\_CampaignName  
 DPI: 300 dpi minimum



## ✓ Print Specifications (Non-Global Production)

Trim Size: 3,048mm (h) x 2,032mm (w) (Full size)  
 Material: 120gsm Blue Back Paper  
 Finishing: Cut to trim size  
 Packing details: Printed in 4 sections; flat pack; ensure pack label is complete  
[https://outdoor.global.com/uk/~-/media/files/uk/product\\_specs/digital/global-pack-label.pdf](https://outdoor.global.com/uk/~-/media/files/uk/product_specs/digital/global-pack-label.pdf)  
 Spares: A minimum of 10% posters is recommended  
 Despatch details: Please request this from the customer Service team

## ✓ Compliance & Approvals

All artwork is subject to approval. For the full set of guidelines, please visit <https://www.global.com/wp-content/uploads/2019/09/Copy-Approval-Policy.pdf> We strongly recommend you review these fully before commencing production.

### Artwork Delivery

For any artwork delivery queries please contact the production team at [Nationalproduction@global.com](mailto:Nationalproduction@global.com) or [localproduction.global.com](http://localproduction.global.com)

### Poster Delivery

For any delivery queries if you are delivering your own posters please contact the customer service team at [NationalCS@global.com](mailto:NationalCS@global.com) or [LocalDirectCS@global.com](http://LocalDirectCS@global.com)