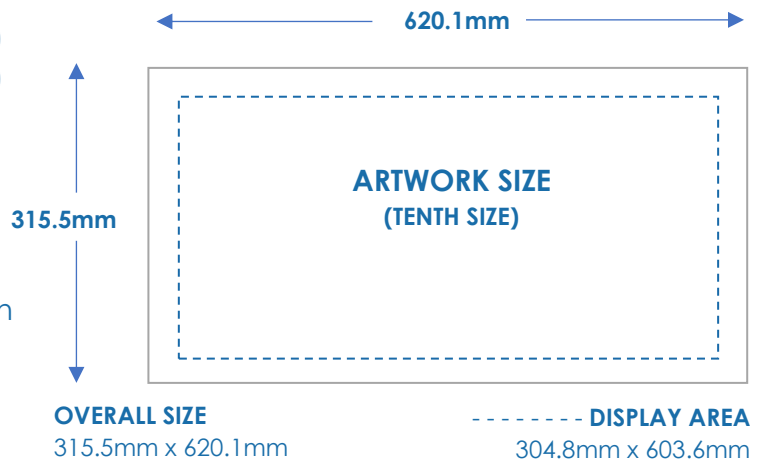


B48 (CB O+) Spec

✓ Artwork Specifications (Global Production)

Display Area: 3,048mm x 6,036mm (Full size)
 Overall Size: 3,155mm x 6,210mm (Full size)
 Bleed: 5mm all around

File Format: High Res CMYK PDF. Embed/
 outline images and fonts
 File Size: Up to 5MB
 File Name: SiteType_LiveDate_Campaign
 Name
 DPI: 300 dpi minimum



✓ Print Specifications (Non-Global Production)

Trim Size: 3,155mm (h) x 6,210mm (w) (Full size)
 Material: 450gsm PVC
 Finished Size: 3,185mm (h) x 6,240mm (w) (Full size)
 Finishing: 10mm keder

Packing details: Rolled on core, ensure pack label is complete
https://outdoor.global.com/uk/~media/files/uk/product_specs/digital/global-pack-label.pdf

Spares: A minimum of 10% posters is recommended
 Despatch details: Please request this from the customer service team

✓ Compliance & Approvals

All artwork is subject to approval. For the full set of guidelines, please visit <https://www.global.com/wp-content/uploads/2019/09/Copy-Approval-Policy.pdf> We strongly recommend you review these fully before commencing production.

Artwork Delivery

For any artwork delivery queries please contact the production team at Nationalproduction@global.com or localproduction.global.com

Poster Delivery

For any delivery queries if you are delivering your own posters please contact the customer service team at NationalCS@global.com or LocalDirectCS@global.com