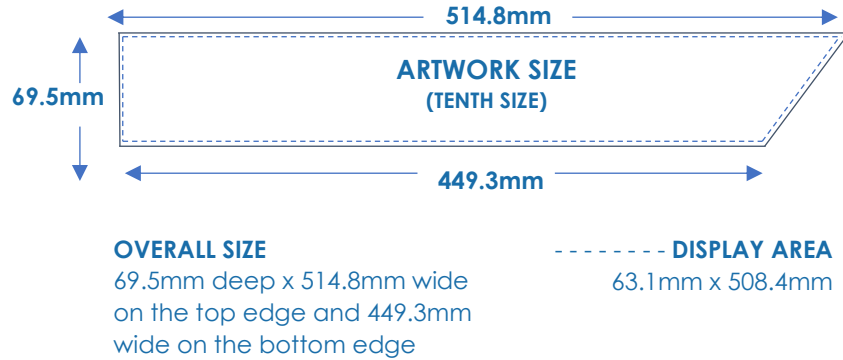


# Routemaster Offside Spec

## ✓ Artwork Specifications (Global Production)

Display Area: See diagram to the right

Overall Size: See diagram to the right  
 Bleed: 3mm all around  
 File Format: High Res CMYK PDF. Embed/  
 outline images and fonts  
 File Size: Up to 25MB  
 File Name: SiteType\_LiveDate\_Campaign  
 Name  
 DPI: 300 dpi minimum  
 Barcodes: To be added by our printer



## ✓ Print Specifications (Non-Global Production)

Trim Size: Trim to overall size – see diagram to the right.

Material: Approved Vinyl only inc. *GRAFITYP M112R, ORACAL 1620 or RITRAMA 04350 RI-145/100*

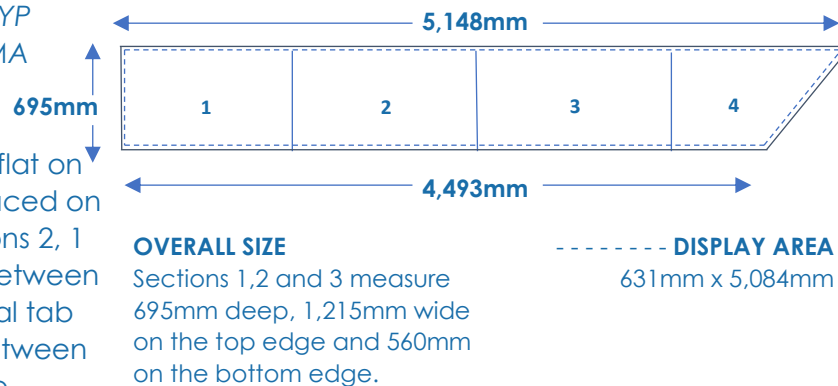
Finishing: Cut to trim size, no overlaps.

Packing Details: **Flat & Uncollated:** Stack posters flat on a pallet. Section 3 should be placed on the pallet first followed by sections 2, 1 and 4. A tab must be inserted between every 50<sup>th</sup> vinyl and an additional tab inserted indicating the break between each section. The pallet must be bound securely, ensuring poster edges are fully protected to avoid damage in transit. Ensure pack label is complete [https://outdoor.global.com/uk/~media/files/uk/product\\_specs/digital/global-pack-label.pdf](https://outdoor.global.com/uk/~media/files/uk/product_specs/digital/global-pack-label.pdf)

Spares: A minimum of 10% posters is recommended

Despatch details: Please check with Customer Service  
 Barcodes must be placed in the

Barcodes: bottom right-hand corner of all posters, 50mm from each edge. Barcode dimensions to be 32mm (h) x 50mm (w)



## ✓ Compliance & Approvals

All artwork is subject to approval. For the full set of guidelines, please visit <https://www.global.com/wp-content/uploads/2019/09/Copy-Approval-Policy.pdf> We strongly recommend you review these fully before commencing production.

### Artwork Delivery

For any artwork delivery queries please contact the production team at

[Nationalproduction@global.com](mailto:Nationalproduction@global.com) or [localproduction@global.com](mailto:localproduction@global.com)

### Poster Delivery

For any delivery queries if you are delivering your own posters, please contact the Customer Service team at

[NationalCS@global.com](mailto:NationalCS@global.com) or [LocalDirectCS@global.com](mailto:LocalDirectCS@global.com)