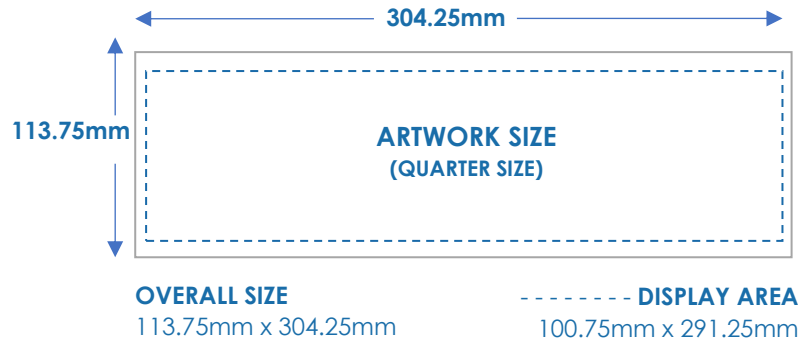


Standard Rears Spec

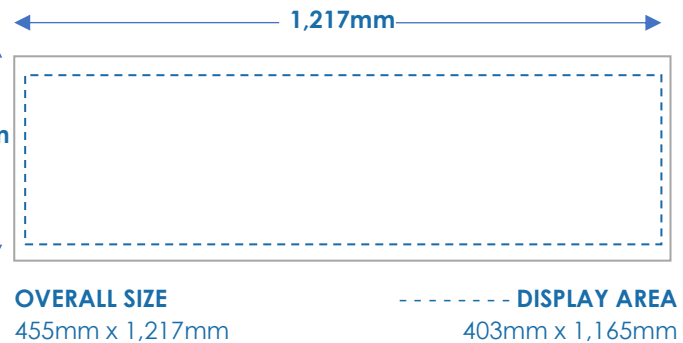
✓ Artwork Specifications (Global Production)

Display Area: 403mm x 1,165mm (Full size)
 Overall Size: 455mm x 1,217mm (Full size)
 Bleed: 3mm all around
 File Format: High Res CMYK PDF. Embed/
 outline images and fonts
 File Size: Up to 25MB
 File Name: SiteType_LiveDate_Campaign
 Name
 DPI: 300 dpi minimum
 Barcodes: To be added by our printer



✓ Print Specifications (Non-Global Production)

Trim Size: 455mm x 1,217mm (Full size)
 Material: Water Resistant Board **and/or*** approved Vinyl only inc. *GRAFITYP M112R, ORACAL 1620 or RITRAMA 04350 RI-145/100*
 Finishing: Cut to trim size. For WRB, apply a clear gloss machine or UV varnish to poster. For vinyl campaigns of longer than 12 weeks, an over-laminate must be applied to poster.
 Packing Details: **Flat & Uncollated:** flat on a pallet. 455mm A tab must be inserted between every 50th board. The pallet must be bound securely, ensuring the poster edges are fully protected to avoid damage in transit.
Rolled & Collated: rolled with the design out and wrapped in packages of no more than 30, ensure pack label is complete
https://outdoor.global.com/uk/~media/files/uk/product_specs/digital/global-pack-label.pdf
 Spares: A minimum of 10% posters is recommended
 Despatch details: ***Please check with Customer Service on material/s required**
 Barcodes: Barcodes must be placed in the bottom right-hand corner of all posters, 50mm from each edge. Barcode dimensions to be 32mm (h) x 50mm (w)



✓ Compliance & Approvals

All artwork is subject to approval. For the full set of guidelines, please visit <https://www.global.com/wp-content/uploads/2019/09/Copy-Approval-Policy.pdf> We strongly recommend you review these fully before commencing production.

Artwork Delivery

For any artwork delivery queries please contact the production team at Nationalproduction@global.com or localproduction@global.com

Poster Delivery

For any delivery queries if you are delivering your own posters, please contact the Customer Service team at NationalCS@global.com or LocalDirectCS@global.com