

# Backlight P250 Spec

## ✓ Artwork Specifications (Global Production)

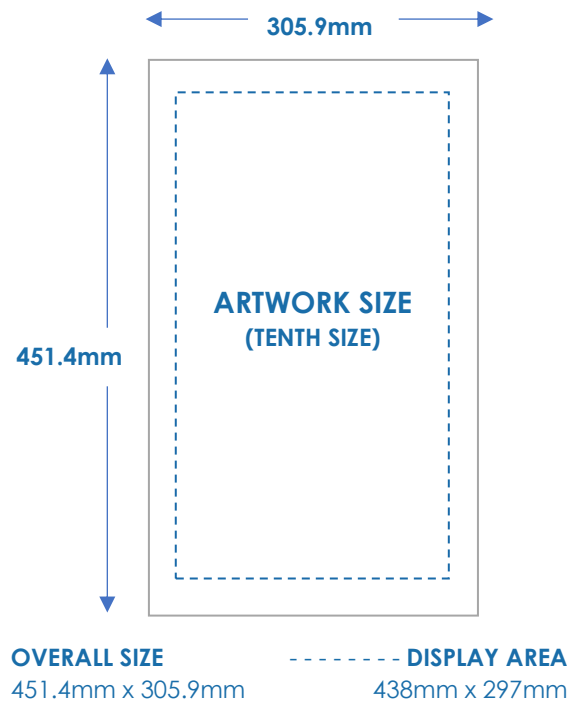
Display Area: 4,380mm x 2,970mm (Full size)  
 Overall Size: 4,514mm x 3,059mm (Full size)  
 Bleed: 10mm all around

File Format: High Res CMYK PDF. Embed/ outline images and fonts

File Size: Up to 5MB

File Name: SiteType\_LiveDate\_CampaignName

DPI: 300 dpi minimum



## ✓ Print Specifications (Non-Global Production)

Trim Size: 4,514mm (h) x 3,059mm (w) (Full size)

Material: Back-lit PVC

Finishing: Apply weld 9mm core – 10mm Round Keder on all edges

Packing details: Rolled on core; ensure pack label is complete

[https://outdoor.global.com/uk/~media/files/uk/product\\_specs/digital/global-pack-label.pdf](https://outdoor.global.com/uk/~media/files/uk/product_specs/digital/global-pack-label.pdf)

Spares: A minimum of 10% posters is recommended

Despatch details: Please request this from the customer Service team

## ✓ Compliance & Approvals

All artwork is subject to approval. For the full set of guidelines, please visit

<https://www.global.com/wp-content/uploads/2019/09/Copy-Approval-Policy.pdf> We strongly recommend you review these fully before commencing production.

### Artwork Delivery

For any artwork delivery queries please contact the production team at

[Nationalproduction@global.com](mailto:Nationalproduction@global.com) or [localproduction@global.com](mailto:localproduction@global.com)

### Poster Delivery

For any delivery queries if you are delivering your own posters please contact the customer service team at

[NationalCS@global.com](mailto:NationalCS@global.com) or [LocalDirectCS@global.com](mailto:LocalDirectCS@global.com)