

P350 Spec

✓ Artwork Specifications (Global Production)

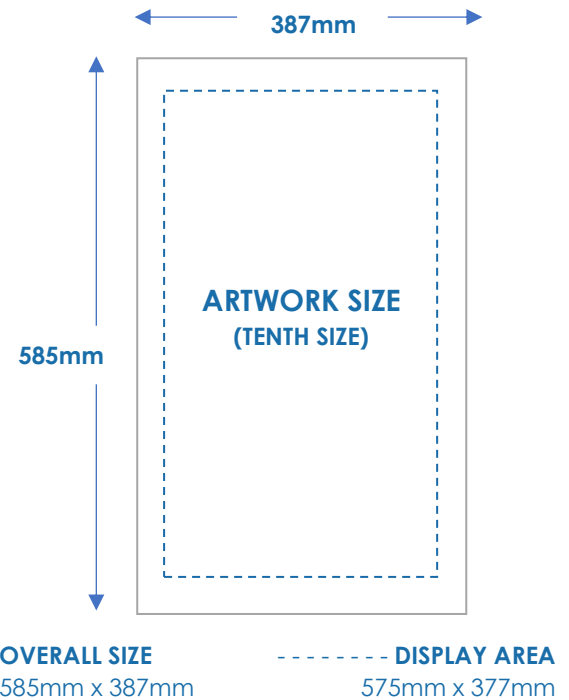
Display Area: 5,750mm x 3,770mm (Full size)
 Overall Size: 5,850mm x 3,870mm (Full size)
 Bleed: 10mm all around

File Format: High Res CMYK PDF. Embed/ outline images and fonts

File Size: Up to 5MB

File Name: SiteType_LiveDate_CampaignName

DPI: 300 dpi minimum



✓ Print Specifications (Non-Global Production)

Trim Size: 5,850mm (h) x 3,870mm (w) (Full size)

Material: Back-lit PVC

Finishing: Apply weld 9mm core - 10mm Round Keder on all edges

Packing details: Rolled on core; ensure pack label is complete

https://outdoor.global.com/uk/~media/files/uk/product_specs/digital/global-pack-label.pdf

Spares: A minimum of 10% posters is recommended

Despatch details: Please request this from the customer Service team

✓ Compliance & Approvals

All artwork is subject to approval. For the full set of guidelines, please visit

<https://www.global.com/wp-content/uploads/2019/09/Copy-Approval-Policy.pdf> We strongly recommend you review these fully before commencing production.

Artwork Delivery

For any artwork delivery queries please contact the production team at

Nationalproduction@global.com or localproduction@global.com

Poster Delivery

For any delivery queries if you are delivering your own posters please contact the customer service team at

NationalCS@global.com or LocalDirectCS@global.com